

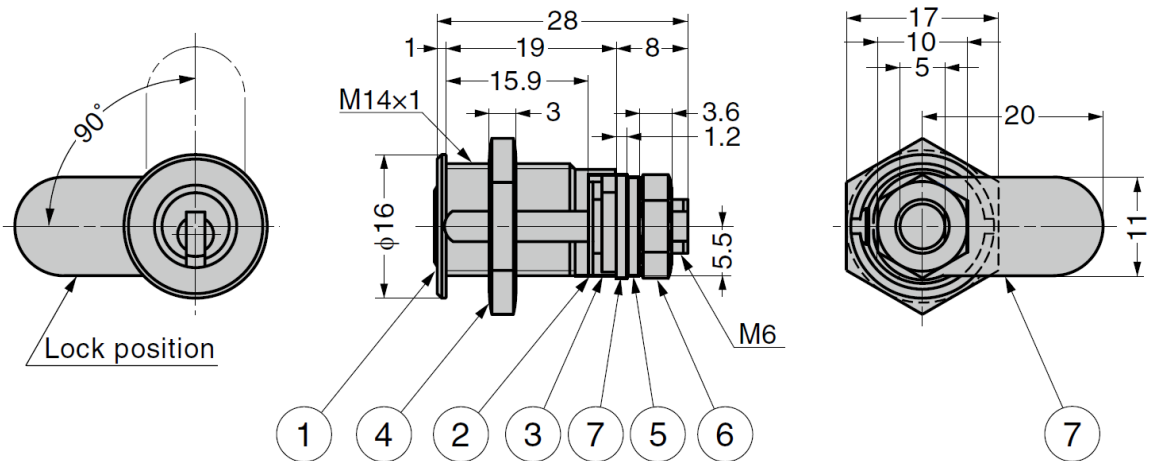
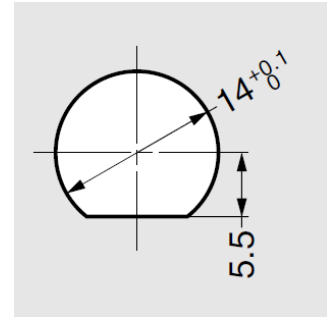
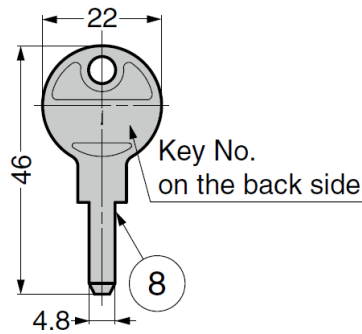
## G910MS Cam Lock

### Features

- Small cylinder lock with dimple key
- Reversible key can only be removed when locked (90° rotation), and ensures that the application is properly locked
- 47,000 key changes available. Master key system available on request (max. 1,000 key changes per master key)

### Notes

- Key number is stamped on the screw part (lower side) of the body



No.	Part Name	Material	Finish
①	Body	Brass	Chrome
②	Ring	Steel	Phosphated Treatment
③	Angle Restricting Cam	Steel (SPCC)	Coloured Zinc Chromate (Trivalent)
④	M14 Hex Nut	Steel (S20C)	
⑤	Washer	Steel	
⑥	M6 Hex Nut	Steel (S20C)	
⑦	Cam	Steel (SPCC)	
⑧	Key	Brass	Nickel

Part No.	Key Type	Door Thickness
G910MS-B	Keyed Differently	0.8 ~ 12
G910MS-D	Keyed Alike	